

2. Specifications

Model		-	GWHD(28)NK600(LC)(LH)
Product Code		-	CB228W14800
Power Supply	Rated Voltage	V~	220-240
	Rated Frequency	Hz	50
	Phases	-	1
Cooling Capacity		kW	8
Heating Capacity		kW	9.5
Cooling Power Input		kW	2.12
Heating Power Input		kW	2.2
Cooling Current Input		A	9.41
Heating Current Input		A	9.76
Rated Power Input		kW	3.6
Rated Current		A	15.97
EER		W/W	3.77
COP		W/W	4.32
Outdoor Unit	Compressor Trademark	-	ZHUHAI LANDA COMPRESSOR CO., LTD.
	Compressor Model	-	QXFS-B212zX070
	Compressor Refrigerant Oil Type	-	FW68DA or equivalent
	Compressor Type	-	Twin Rotary
	L.R.A	A	35
	Compressor Rated Load Amp (RLA)	A	/
	Compressor Power Input	W	1887
	Compressor Thermal Protector	-	KSD115°C HPC115/95U1
	Throttling Method	-	Electron expansion valve
	Cooling Operation Ambient Temperature Range	°C	-15~43
	Heating Operation Ambient Temperature Range	°C	-22~24
	Condenser Material	-	Aluminum Fin-copper Tube
	Condenser Pipe Diameter	mm	Φ7.94
	Rows-Fin Gap(mm)	mm	2-1.4
	Coil length (L) X Height (H) X Coil width (W)	mm	851×616×38.1
	Fan Motor Speed (rpm) (H/M/L)	rpm	Cooling: 850 / Heating: 800
	Output of Fan Motor	W	60
	Fan Motor RLA	A	0.426
	Fan Motor Capacitor	μF	/
	Air Flow Volume of Outdoor Unit	m ³ /h	3800
	Fan Type-Piece	-	Axial-flow
	Fan Diameter-Height	mm	520-154
	Defrosting Method	-	Automatic Defrosting
	Climate Type	-	T1
	Isolation	-	I
	Moisture Protection	-	IPX4
	Permissible Excessive Operating Pressure for the Discharge Side	MPa	4.3
	Permissible Excessive Operating Pressure for the Suction Side	MPa	2.5
	Dimension (WXDXH)	mm	964×402×660
	Dimension of Carton Box (LXWXH)	mm	1029×453×715
	Dimension of Package (LXWXH)	mm	1032×456×737
	Net Weight	kg	51
Gross Weight	kg	55.5	
Refrigerant	-	R32	
Refrigerant Charge	kg	1.8	

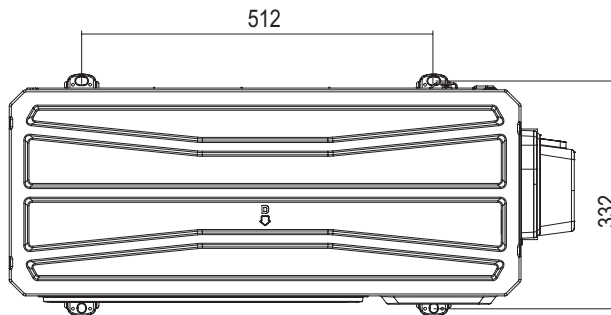
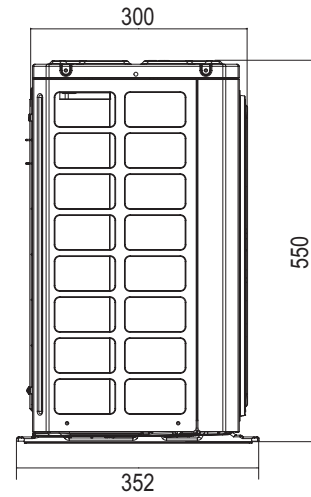
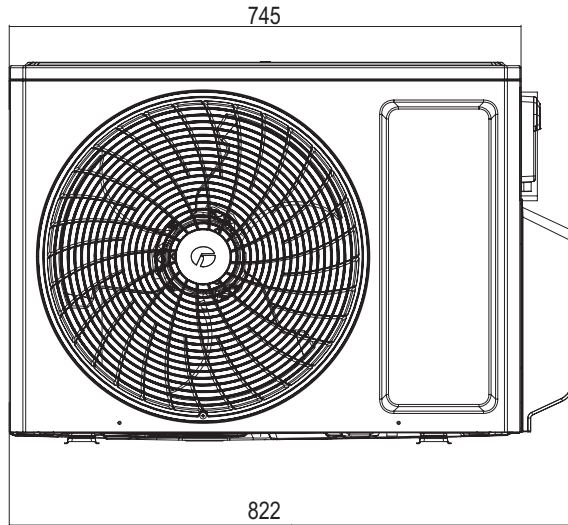
2. Specifications

Outdoor Unit	Cross-sectional Area of Power Cable Conductor	mm ²	2.5
	Recommended Power Cable(Core)	N	3
	Connection Pipe Connection Method	-	Flare Connection
	Not Additional Gas Connection Pipe Length	m	40
	Connection Pipe Gas Additional Charge	g/m	20
	Outer Diameter of Liquid Pipe1	inch	1/4
	Outer Diameter of Gas Pipe1	inch	3/8
	Outer Diameter of Liquid Pipe2	inch	1/4
	Outer Diameter of Gas Pipe2	inch	3/8
	Outer Diameter of Liquid Pipe3	inch	1/4
	Outer Diameter of Gas Pipe3	inch	3/8
	Outer Diameter of Liquid Pipe4	inch	1/4
	Outer Diameter of Gas Pipe4	inch	3/8
	Outer Diameter of Liquid Pipe5	inch	/
	Outer Diameter of Gas Pipe5	inch	/
	Connection Pipe Max. Height Distance (Indoor and Indoor)	m	15
	Max. equivalent connection pipe length	m	20
	Connection Pipe Max. Length Distance (total length)	m	70

The above data is subject to change without notice; please refer to the nameplate of the unit.

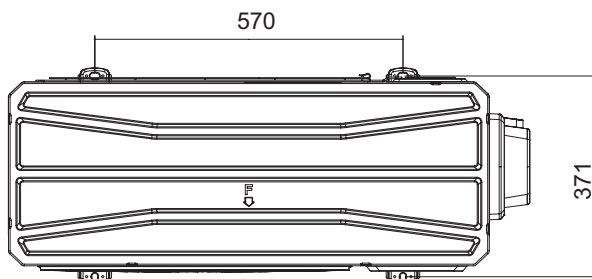
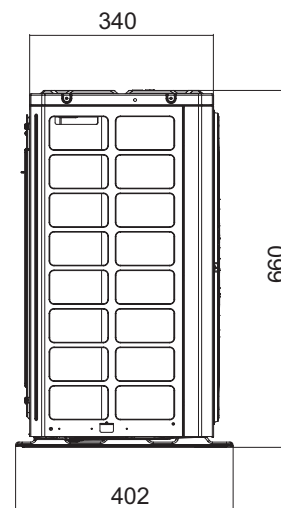
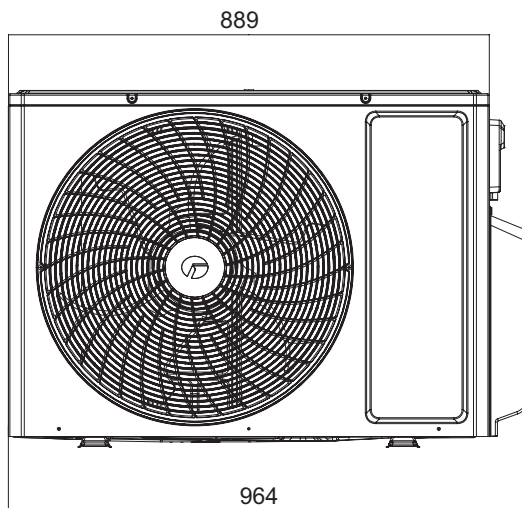
3. Outline Dimension Diagram

GWHD(14)NK600(LC)(LH) GWHD(14)NK600(LC)
 GWHD(18)NK600(LC)(LH) GWHD(18)NK600(LC)



Unit:mm

GWHD(21)NK600(LC)(LH) GWHD(21)NK600(LC)
 GWHD(24)NK600(LC)(LH) GWHD(24)NK600(LC)
 GWHD(28)NK600(LC)(LH) GWHD(28)NK600(LC)



Unit:mm