

2. Specifications

Model			GWHD(14)NK600(LC)(LH)	
Product Code			CB228W14300	
Power Supply	Rated Voltage	V~	220-240	
	Rated Frequency	Hz	50	
	Phases		1	
Cooling Capacity		W	4.1	
Heating Capacity		W	4.4	
Cooling Power Input		W	1.1	
Heating Power Input		W	0.97	
Cooling Current Input		A	4.88	
Heating Current Input		A	4.44	
Rated Power Input		W	2.25	
Rated Current		A	10	
EER		W/W	3.73	
COP		W/W	4.54	
Outdoor Unit	Compressor Trademark		ZHUHAI LANDA COMPRESSOR CO.,LTD	
	Compressor Model		QXF-A120zH170A	
	Compressor Refrigerant Oil Type		FW68DA	
	Compressor Type		Inverter Rotary	
	L.R.A		A	25
	Compressor Rated Load Amp (RLA)		A	/
	Compressor Power Input		W	1096
	Compressor Thermal Protector			KSD115°C HPC115/95U1
	Throttling Method			Electron expansion valve
	Cooling Operation Ambient Temperature Range		°C	-15~43
	Heating Operation Ambient Temperature Range		°C	-22~24
	Condenser Material			Aluminum Fin-copper Tube
	Condenser Pipe Diameter		mm	Φ7.94
	Rows-Fin Gap(mm)		mm	1-1.2
	Coil length (L) X Height (H) X Coil width (W)		mm	834×528×19.05
	Fan Motor Speed (rpm) (H/M/L)		rpm	Cooling: 800 / Heating: 860
	Output of Fan Motor		W	30
	Fan Motor RLA		A	0.4
	Fan Motor Capacitor		μF	/
	Air Flow Volume of Outdoor Unit		m ³ /h	2300
	Fan Type-Piece			Axial-flow
	Fan Diameter-Height		mm	420-131.1
	Defrosting Method			Automatic Defrosting
	Climate Type			T1
	Isolation			I
	Moisture Protection			IPX4
	Permissible Excessive Operating Pressure for the Discharge Side		MPa	4.3
	Permissible Excessive Operating Pressure for the Suction Side		MPa	2.5
	Dimension (WDXH)		mm	822×352×550
	Dimension of Carton Box (LXWXH)		mm	869×395×594
	Dimension of Package (LXWXH)		mm	872×398×620
	Net Weight		kg	30
Gross Weight		kg	32.5	
Refrigerant			R32	
Refrigerant Charge		kg	0.75	

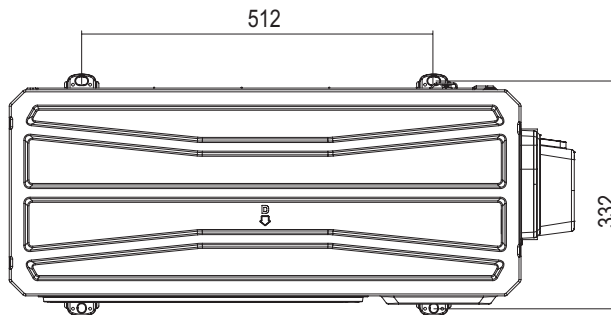
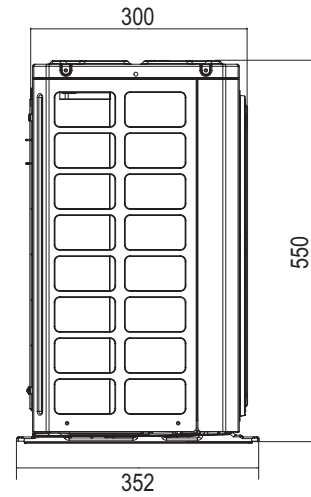
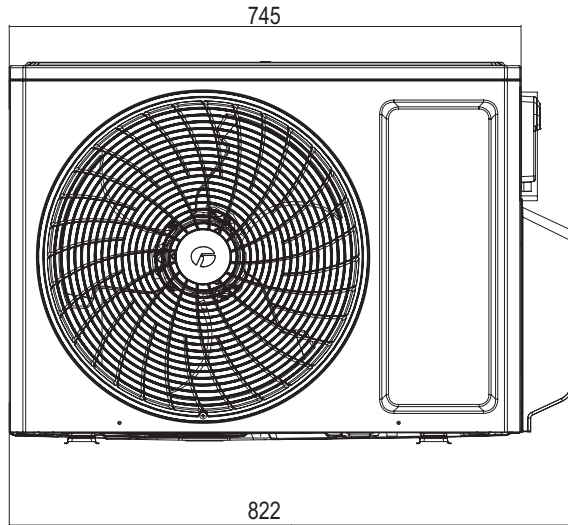
2. Specifications

Outdoor Unit	Cross-sectional Area of Power Cable Conductor	mm ²	1.5
	Recommended Power Cable(Core)	N	3
	Connection Pipe Connection Method		Flare Connection
	Not Additional Gas Connection Pipe Length	m	10
	Connection Pipe Gas Additional Charge	g/m	20
	Outer Diameter of Liquid Pipe1	inch	1/4
	Outer Diameter of Gas Pipe1	inch	3/8
	Outer Diameter of Liquid Pipe2	inch	1/4
	Outer Diameter of Gas Pipe2	inch	3/8
	Outer Diameter of Liquid Pipe3	inch	/
	Outer Diameter of Gas Pipe3	inch	/
	Outer Diameter of Liquid Pipe4	inch	/
	Outer Diameter of Gas Pipe4	inch	/
	Outer Diameter of Liquid Pipe5	inch	/
	Outer Diameter of Gas Pipe5	inch	/
	Connection Pipe Max. Height Distance (Indoor and Indoor)	m	15
	Max. equivalent connection pipe length	m	20
	Connection Pipe Max. Length Distance (total length)	m	40

The above data is subject to change without notice; please refer to the nameplate of the unit.

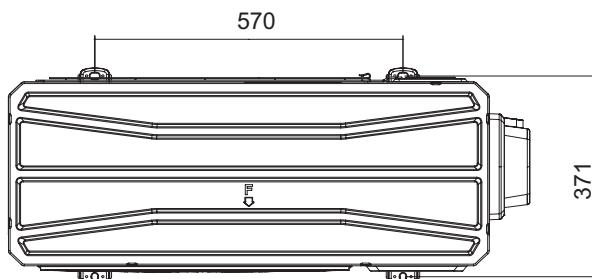
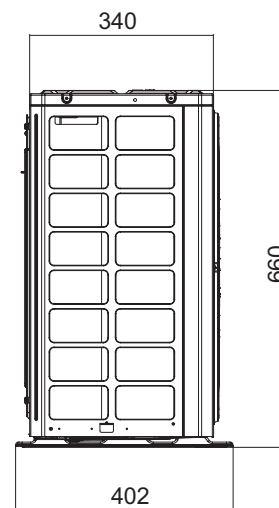
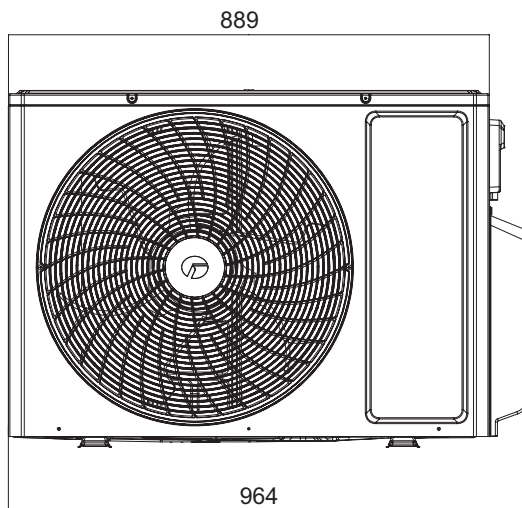
3. Outline Dimension Diagram

GWHD(14)NK600(LC)(LH) GWHD(14)NK600(LC)
 GWHD(18)NK600(LC)(LH) GWHD(18)NK600(LC)



Unit:mm

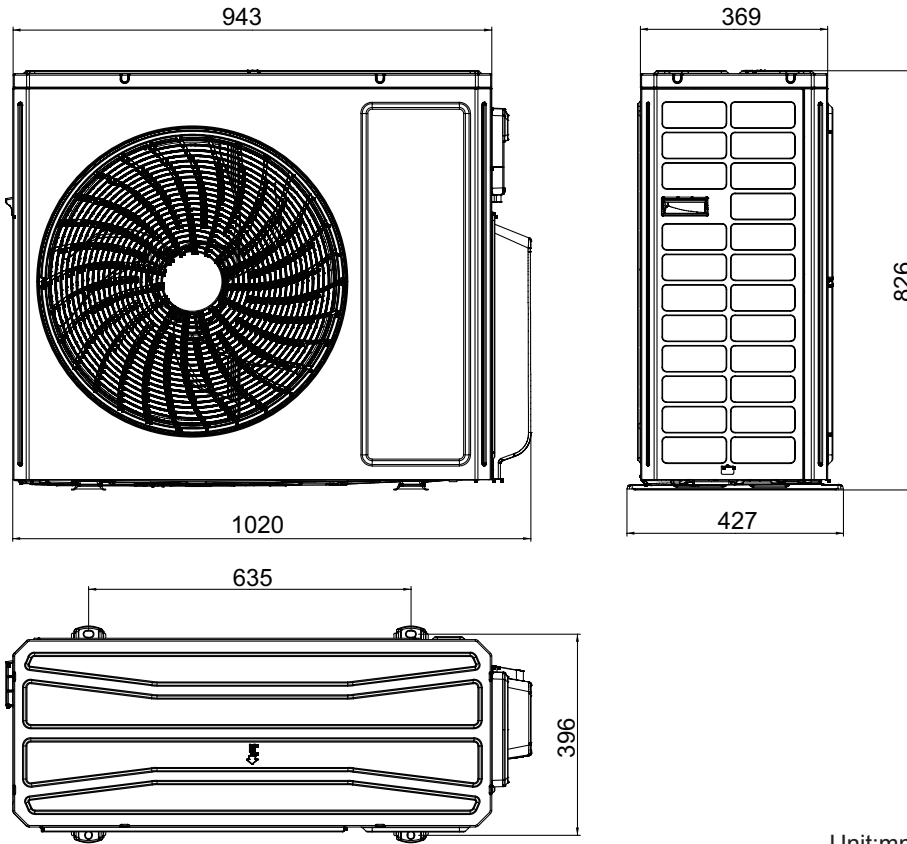
GWHD(21)NK600(LC)(LH) GWHD(21)NK600(LC)
 GWHD(24)NK600(LC)(LH) GWHD(24)NK600(LC)
 GWHD(28)NK600(LC)(LH) GWHD(28)NK600(LC)



Unit:mm

3. Outline Dimension Diagram

GWHD(36)NK600(LC)(LH) GWHD(36)NK600(LC)
GWHD(42)NK600(LC)(LH) GWHD(42)NK600(LC)



Unit:mm