

2. Specifications

2.1 Specification Sheet

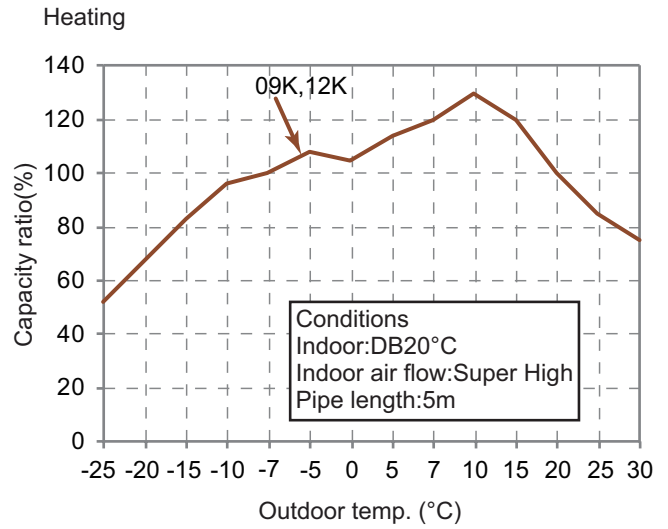
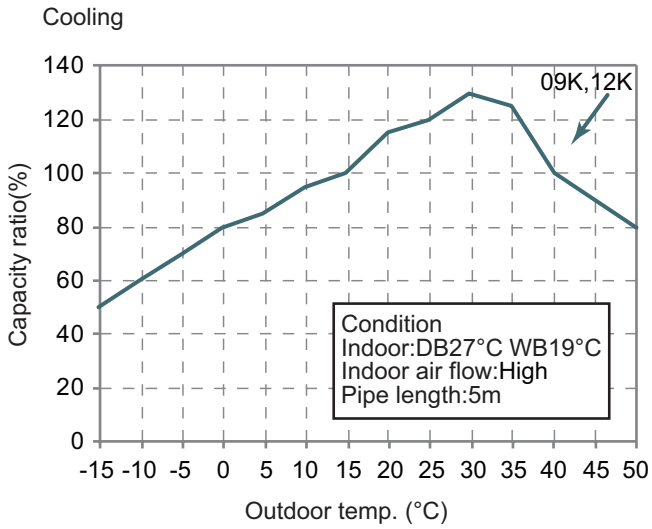
Model		-	GWH09ACCXB-K6DNA1G
Product Code		-	CB497026500 CB497026501
Power Supply	Rated Voltage	V~	220-240
	Rated Frequency	Hz	50
	Phases	-	1
Power Supply Mode		-	Outdoor
Cooling Capacity		W	2700
Heating Capacity		W	3000
Cooling Power Input		W	670
Heating Power Input		W	674
Cooling Current Input		A	3.5
Heating Current Input		A	3.5
Rated Input		W	1400
Rated Cooling Current		A	6
Rated Heating Current		A	6.5
Air Flow Volume		m ³ /h	610/530/500/450/350/290/230/180
Dehumidifying Volume		L/h	0.8
EER		W/W	4.03
COP		W/W	4.45
SEER		-	8.5
SCOP(Average/Warmer/Colder)		-	4.6/5.7/3.5
Application Area		m ²	12-18
Indoor Unit	Indoor Unit Model	-	GWH09ACCXB-K6DNA1G/I
	Indoor Unit Product Code	-	CB497N26500
	Fan Type	-	Cross-flow
	Fan Diameter Length (DXL)	mm	Φ98×633.5
	Cooling Speed	r/min	1200/1100/1050/950/800/700/650/500
	Heating Speed	r/min	1200/1100/1040/950/900/880/850
	Fan Motor Power Output	W	20
	Fan Motor RLA	A	0.2
	Fan Motor Capacitor	μF	/
	Evaporator Form	-	Aluminum Fin-copper Tube
	Evaporator Pipe Diameter	mm	Φ5
	Evaporator Row-fin Gap	mm	2-1.4
	Evaporator Coil Length (LXDXW)	mm	635×22.8×306.3
	Swing Motor Model	-	MP24EB/MP24HF
	Swing Motor Power Output	W	1.5/1.5
	Fuse Current	A	3.15
	Sound Pressure Level	dB (A)	Cooling: 39/37/34/31/26/23/22/18 Heating: 39/37/34/31/30/29/28
	Sound Power Level	dB (A)	Cooling: 57/51/48/45/40/37/36/32 Heating: 57/51/48/45/44/43/42
	Dimension (WXHXD)	mm	889X294X212
	Dimension of Carton Box (LXWXH)	mm	935X349X273
Dimension of Package (LXWXH)	mm	940X365X284	
Net Weight	kg	10	
Gross Weight	kg	12	

Outdoor Unit	Outdoor Unit Model	-	GWH09ACCXB-K6DNA1G/O		
	Outdoor Unit Product Code	-	CB497W26500	CB497W26501	
	Compressor Manufacturer	-	ZHUHAI LANDA COMPRESSOR CO., LTD.		
	Compressor Model	-	QXF-N082zC170		
	Compressor Oil	-	RB68GX or equivalent		
	Compressor Type	-	Rotary		
	Compressor LRA.	A	/		
	Compressor RLA	A	3.4		
	Compressor Power Input	W	630		
	Compressor Overload Protector	-	/		
	Throttling Method	-	Electron expansion valve		
	Set Temperature Range	°C	16~30		
	Cooling Operation Ambient Temperature Range	°C	-15~50		
	Heating Operation Ambient Temperature Range	°C	-25~30	-15~30	
	Condenser Form	-	Aluminum Fin-copper Tube		
	Condenser Pipe Diameter	mm	Φ7		
	Condenser Rows-fin Gap	mm	1-1.2		
	Condenser Coil Length (LXDXW)	mm	666×19.05×527		
	Fan Motor Speed	rpm	850		
	Fan Motor Power Output	W	30		
	Fan Motor RLA	A	0.4		
	Fan Motor Capacitor	μF	/		
	Outdoor Unit Air Flow Volume	m ³ /h	1950		
	Fan Type	-	Axial-flow		
	Fan Diameter	mm	Φ400		
	Defrosting Method	-	Automatic Defrosting		
	Climate Type	-	T1		
	Isolation	-	I		
	Moisture Protection	-	IPX4		
	Permissible Excessive Operating Pressure for the Discharge Side	MPa	4.3		
	Permissible Excessive Operating Pressure for the Suction Side	MPa	2.5		
	Sound Pressure Level	dB (A)	51		
	Sound Power Level	dB (A)	61		
Dimension (WXHXD)	mm	732X555X330			
Dimension of Carton Box (LXWXH)	mm	791X373X590			
Dimension of Package (LXWXH)	mm	794X376X615			
Net Weight	kg	23.5			
Gross Weight	kg	26			
Refrigerant	-	R32			
Refrigerant Charge	kg	0.5			
Connection Pipe	Connection Pipe Length	m	5		
	Connection Pipe Gas Additional Charge	g/m	16		
	Outer Diameter Liquid Pipe	inch	1/4		
	Outer Diameter Gas Pipe	inch	3/8		
	Max Distance Height	m	10		
	Max Distance Length	m	15		
	Note: The connection pipe applies metric diameter.				

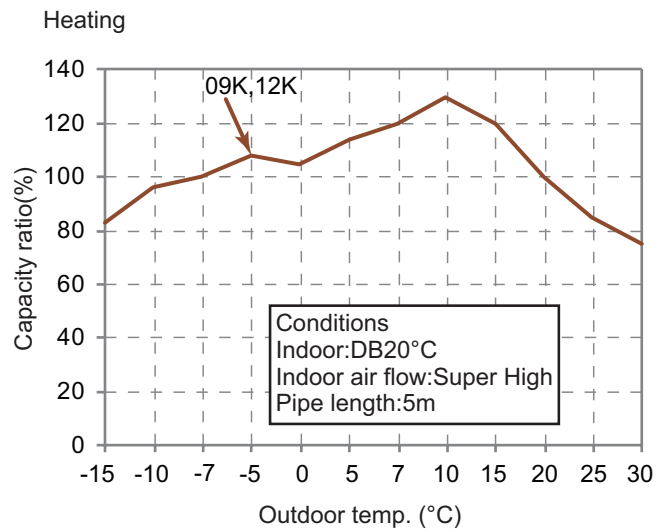
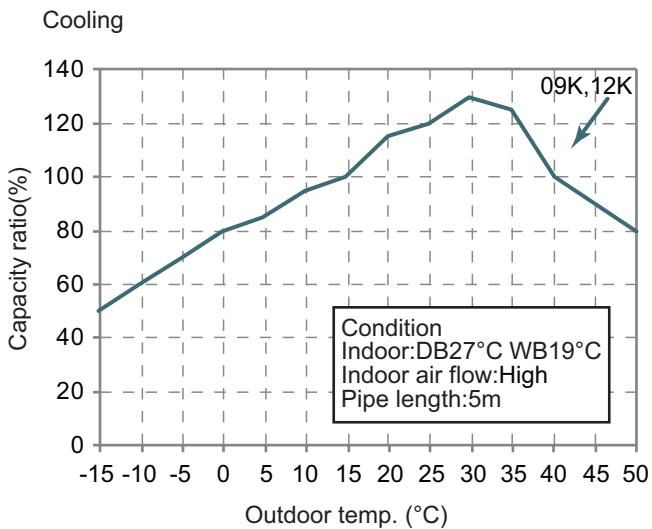
The above data is subject to change without notice. Please refer to the nameplate of the unit.

2.2 Capacity Variation Ratio According to Temperature

Heating operation ambient temperature range is -25°C~30°C

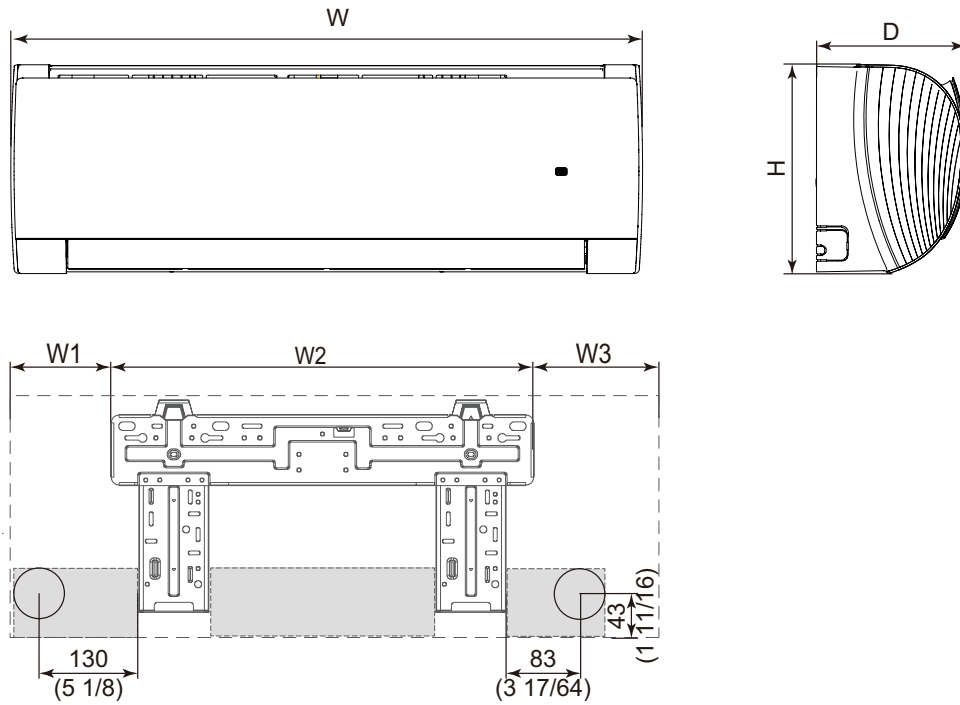


Heating operation ambient temperature range is -15°C~30°C



3. Outline Dimension Diagram

3.1 Indoor Unit

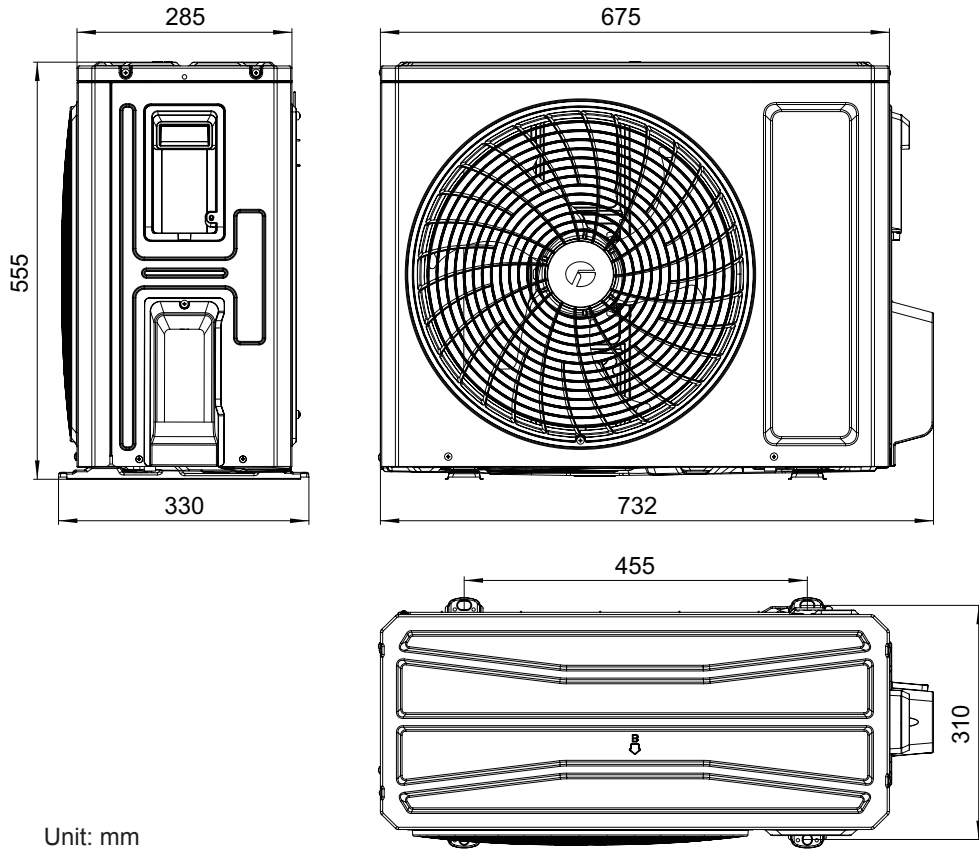


Unit:mm

Model	W	H	D	W1	W2	W3
ACC	889	294	212	146	542	201

3.2 Outdoor Unit

GWH09ACCXB-K6DNA1G/O



GWH12AWCXD-K6DNA1D/O

