

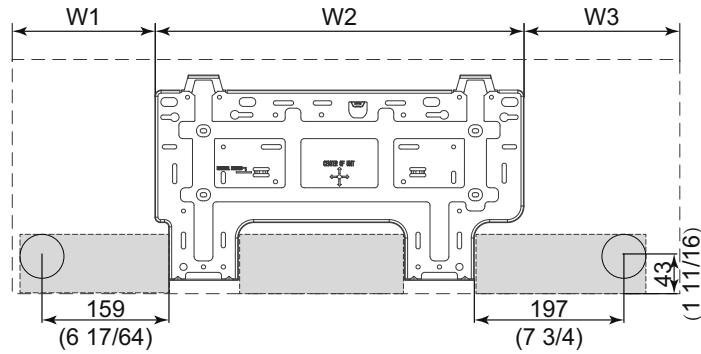
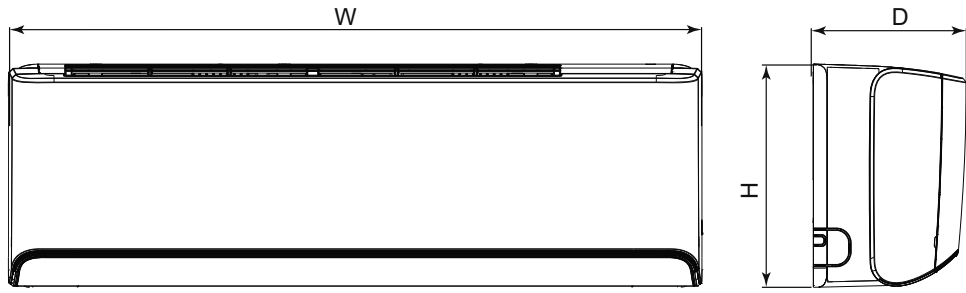
Model		-	GWH24AVEXF-K6DNA1A	
Product Code		-	CB601000200/CB601000204	CB601000201/CB601000205
Power Supply	Rated Voltage	V~	220-240	
	Rated Frequency	Hz	50	
	Phases	-	1	
Power Supply Mode		-	Outdoor	
Cooling Capacity		W	7100	
Heating Capacity		W	7800	
Cooling Power Input		W	1868	
Heating Power Input		W	1902	
Cooling Power Current		A	8.7	
Heating Power Current		A	9	
Rated Input		W	3700	
Rated Cooling Current		A	12.3	
Rated Heating Current		A	16	
Air Flow Volume		m <sup>3</sup> /h	1350/1150/1050/950/900/850/800/650	
Dehumidifying Volume		L/h	2.5	
EER		W/W	3.8	
COP		W/W	4.1	
SEER		-	8.5	
SCOP (Average/Warmer/Colder)		-	4.6/5.7/3.6	
Application Area		m <sup>2</sup>	23-34	
Indoor Unit	Model of indoor unit		GWH24AVEXF-K6DNA1A/I	
	Indoor Unit Product Code		CB601N00200/CB601N00204	CB601N00200/CB601N00204
	Fan Type		Cross-flow	
	Fan Diameter Length(DXL)		Φ111.5×830	
	Cooling Speed		1250/1100/1000/950/900/850/800/650	
	Heating Speed		1400/1250/1100/1050/1000/900/850	
	Fan Motor Power Output		60	
	Fan Motor RLA		0.4	
	Fan Motor Capacitor		/	
	Evaporator Form		Aluminum Fin-copper Tube	
	Evaporator Pipe Diameter		Φ7	
	Evaporator Row-fin Gap		2-1.4	
	Evaporator Coil Length (LXD <sub>X</sub> W)		840×25.4×381	
	Swing Motor Model		MP24HF / MP24AQ / MP35CV	
	Swing Motor Power Output		1.5 / 1.5 / 2.5	
	Fuse Current		3.15	
	Sound Pressure Level		Cooling: 51/47/44/42/40/37/35/29 Heating: 51/49/46/45/42/39/37	
	Sound Power Level		Cooling: 65/61/58/56/54/51/49/43 Heating: 65/63/60/59/56/53/51	
	Dimension (WXHXD)		1110X347X257	
	Dimension of Carton Box (LXWXH)		1160X411X337	
Dimension of Package (LXWXH)		1165X419X347		
Net Weight		kg 17.5		
Gross Weight		kg 20.5		

Outdoor Unit	Outdoor Unit Model	-	GWH24AVEXF-K6DNA1A/O		
	Outdoor Unit Product Code	-	CB601W00200	CB601W00201	
	Compressor Manufacturer	-	ZHUHAI LANDA COMPRESSOR CO., LTD.		
	Compressor Model	-	QXFS-A150zX170S		
	Compressor Oil	-	FW68DA or equivalent		
	Compressor Type	-	Rotary		
	Compressor L.R.A.	A	35		
	Compressor RLA	A	11.35		
	Compressor Power Input	W	1330		
	Compressor Overload Protector	-	/		
	Throttling Method	-	Electron expansion valve		
	Set Temperature Range	°C	Cooling mode: 16~30 / Heating mode: 8~30		
	Cooling Operation Ambient Temperature Range	°C	-15~50		
	Heating Operation Ambient Temperature Range	°C	-25~30	-15~30	
	Condenser Form	-	Aluminum Fin-copper Tube		
	Condenser Pipe Diameter	mm	Φ7		
	Condenser Rows-fin Gap	mm	2-1.4		
	Condenser Coil Length (LXD <sub>XW</sub> )	mm	890×38.1×616		
	Fan Motor Speed	rpm	800		
	Fan Motor Power Output	W	60		
	Fan Motor RLA	A	0.65		
	Fan Motor Capacitor	μF	/		
	Outdoor Unit Air Flow Volume	m <sup>3</sup> /h	3200		
	Fan Type	-	Axial-flow		
	Fan Diameter	mm	Φ520		
	Defrosting Method	-	Automatic Defrosting		
	Climate Type	-	T1		
	Isolation	-	I		
	Moisture Protection	-	IPX4		
	Permissible Excessive Operating Pressure for the Discharge Side	MPa	4.3		
	Permissible Excessive Operating Pressure for the Suction Side	MPa	2.5		
	Sound Pressure Level	dB (A)	60		
	Sound Power Level	dB (A)	70		
Dimension(WXHXD)	mm	958X660X402			
Dimension of Carton Box (LXWXH)	mm	1029X453X715			
Dimension of Package(LXWXH)	mm	1032X456X737			
Net Weight	kg	42.5			
Gross Weight	kg	47			
Refrigerant	-	R32			
Refrigerant Charge	kg	1.4			
Connection Pipe	Connection Pipe Length	m	5		
	Connection Pipe Gas Additional Charge	g/m	40		
	Outer Diameter Liquid Pipe	inch	1/4		
	Outer Diameter Gas Pipe	inch	5/8		
	Max Distance Height	m	10		
	Max Distance Length	m	25		
Note: The connection pipe applies metric diameter.					

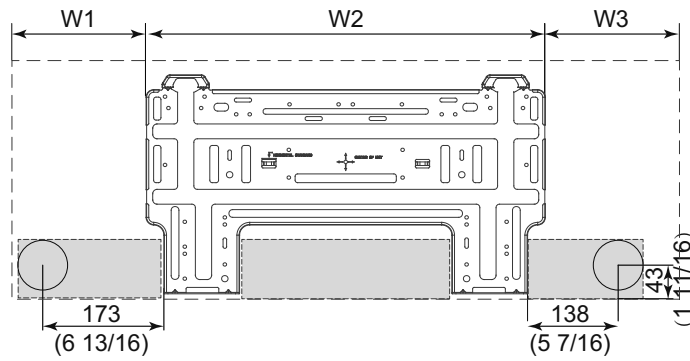
The above data is subject to change without notice. Please refer to the nameplate of the unit.

# 3. Outline Dimension Diagram

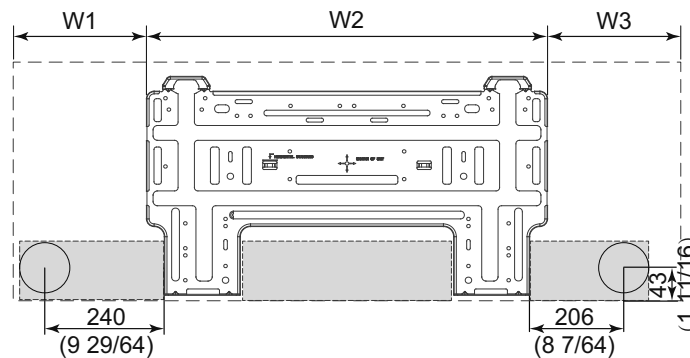
## 3.1 Indoor Unit



AVC



AVD



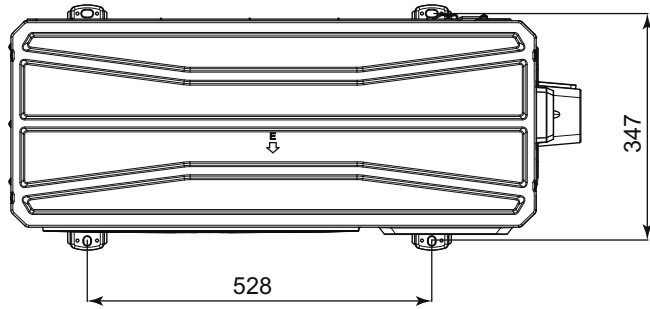
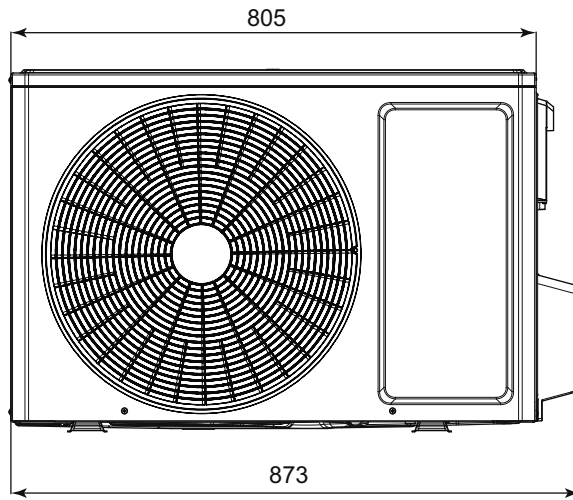
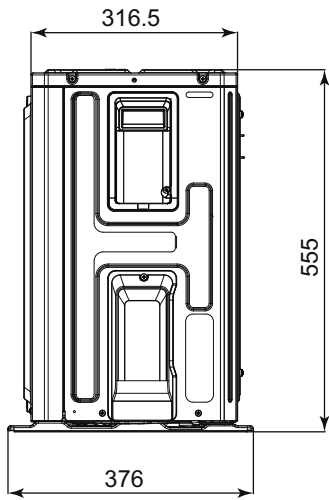
AVE

Unit: mm(inch)

Unit: mm

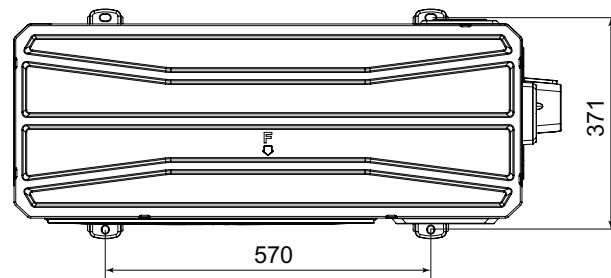
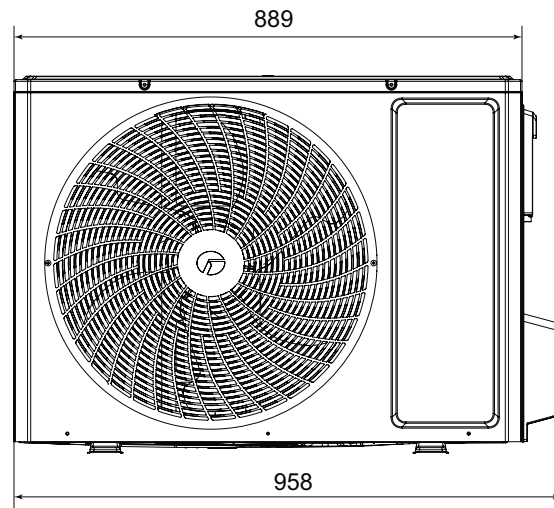
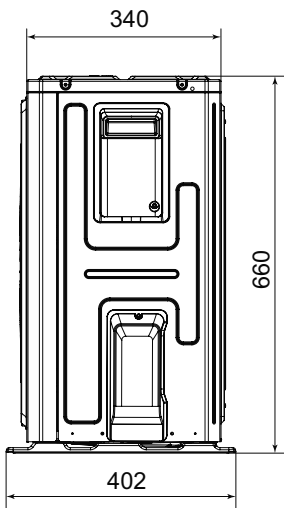
Model	W	H	D	W1	W2	W3
AVC	907	292	200	216	462	229
AVD	970	347	257	205.3	561.5	203.2
AVE	1110	347	257	275.4	561.5	273.1

18K



Unit: mm

24K



Unit: mm