

# 2. Specifications

## 2.1 Specification Sheet

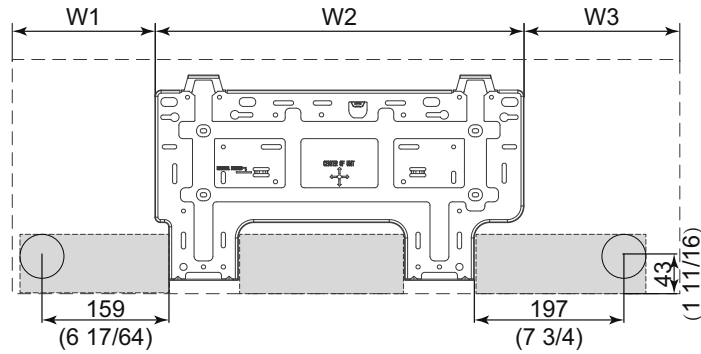
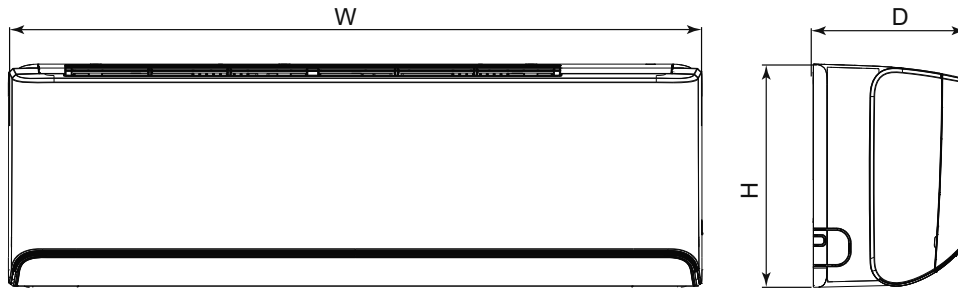
Model		-	GWH09AVCXB-K6DNA1B	
Product Code		-	CB601000400/CB601000402	CB601000401/CB601000403
Power Supply	Rated Voltage	V~	220-240	
	Rated Frequency	Hz	50	
	Phases	-	1	
Power Supply Mode		-	Outdoor	
Cooling Capacity		W	2700	
Heating Capacity		W	3000	
Cooling Power Input		W	600	
Heating Power Input		W	680	
Cooling Power Current		A	3.2	
Heating Power Current		A	3.5	
Rated Input		W	1600	
Rated Cooling Current		A	6.3	
Rated Heating Current		A	7.1	
Air Flow Volume		m <sup>3</sup> /h	680/600/550/470/380/350/310/180	
Dehumidifying Volume		L/h	0.8	
EER		W/W	4.5	
COP		W/W	4.41	
SEER		-	9	
SCOP (Average/Warmer/Colder)		-	4.6/5.8/3.6	
Application Area		m <sup>2</sup>	12-18	
Indoor Unit	Model of indoor unit		GWH09AVCXB-K6DNA1B/I	
	Indoor Unit Product Code		CB601N00400/CB601N00402	CB601N00400/CB601N00402
	Fan Type		Cross-flow	
	Fan Diameter Length(DXL)		mm Φ94×630	
	Cooling Speed		r/min 1350/1200/1100/1000/920/850/750/500	
	Heating Speed		r/min 1300/1200/1120/1050/980/900/850	
	Fan Motor Power Output		W 15	
	Fan Motor RLA		A 0.22	
	Fan Motor Capacitor		μF /	
	Evaporator Form		Aluminum Fin-copper Tube	
	Evaporator Pipe Diameter		mm Φ5	
	Evaporator Row-fin Gap		mm 2-1.3	
	Evaporator Coil Length (LXDXW)		mm 634×22.8×266.7	
	Swing Motor Model		MP24HF / MP24AQ / MP35CV	
	Swing Motor Power Output		W 1.5 / 1.5 / 2.5	
	Fuse Current		A 3.15	
	Sound Pressure Level		dB (A) Cooling: 41/38/36/34/30/26/22/19 Heating: 41/38/36/34/32/29/28	
	Sound Power Level		dB (A) Cooling: 59/52/50/48/44/40/36/33 Heating: 59/52/50/48/46/43/42	
	Dimension (WXHXD)		mm 907X292X200	
	Dimension of Carton Box (LXWXH)		mm 959X355X262	
Dimension of Package (LXWXH)		mm 965X371X273		
Net Weight		kg 10.5		
Gross Weight		kg 12.5		

Outdoor Unit	Outdoor Unit Model	-	GWH09AVCXB-K6DNA1B/O		
	Outdoor Unit Product Code	-	CB601W00400	CB601W00401	
	Compressor Manufacturer	-	ZHUHAI LANDA COMPRESSOR CO., LTD.		
	Compressor Model	-	QXF-A082zC170		
	Compressor Oil	-	ZE-G;ES RB68GX or equivalent		
	Compressor Type	-	Rotary		
	Compressor L.R.A.	A	15		
	Compressor RLA	A	2.56		
	Compressor Power Input	W	756.6		
	Compressor Overload Protector	-	/		
	Throttling Method	-	Electron expansion valve		
	Set Temperature Range	°C	16~30		
	Cooling Operation Ambient Temperature Range	°C	-15~50		
	Heating Operation Ambient Temperature Range	°C	-25~30	-15~30	
	Condenser Form	-	Aluminum Fin-copper Tube		
	Condenser Pipe Diameter	mm	Φ7		
	Condenser Rows-fin Gap	mm	2-1.4		
	Condenser Coil Length (LXD <sub>XW</sub> )	mm	666×38.1×527		
	Fan Motor Speed	rpm	850		
	Fan Motor Power Output	W	30		
	Fan Motor RLA	A	0.4		
	Fan Motor Capacitor	μF	/		
	Outdoor Unit Air Flow Volume	m <sup>3</sup> /h	1950		
	Fan Type	-	Axial-flow		
	Fan Diameter	mm	Φ400		
	Defrosting Method	-	Automatic Defrosting		
	Climate Type	-	T1		
	Isolation	-	I		
	Moisture Protection	-	IPX4		
	Permissible Excessive Operating Pressure for the Discharge Side	MPa	4.3		
	Permissible Excessive Operating Pressure for the Suction Side	MPa	2.5		
	Sound Pressure Level	dB (A)	50		
	Sound Power Level	dB (A)	62		
Dimension(WXHXD)	mm	732X555X330			
Dimension of Carton Box (LXWXH)	mm	791X373X590			
Dimension of Package(LXWXH)	mm	794X376X615			
Net Weight	kg	27			
Gross Weight	kg	29.5			
Refrigerant	-	R32			
Refrigerant Charge	kg	0.7			
Connection Pipe	Connection Pipe Length	m	5		
	Connection Pipe Gas Additional Charge	g/m	16		
	Outer Diameter Liquid Pipe	inch	1/4		
	Outer Diameter Gas Pipe	inch	3/8		
	Max Distance Height	m	10		
	Max Distance Length	m	15		
Note: The connection pipe applies metric diameter.					

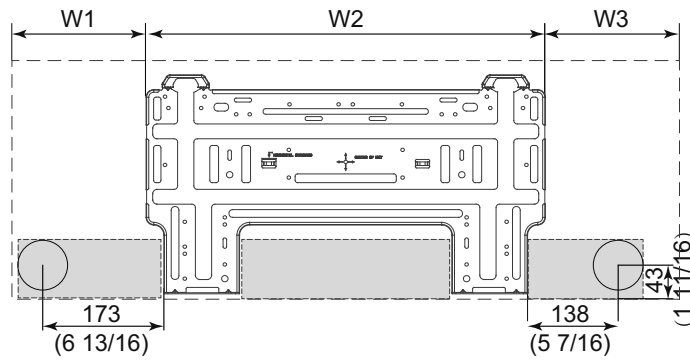
The above data is subject to change without notice. Please refer to the nameplate of the unit.

# 3. Outline Dimension Diagram

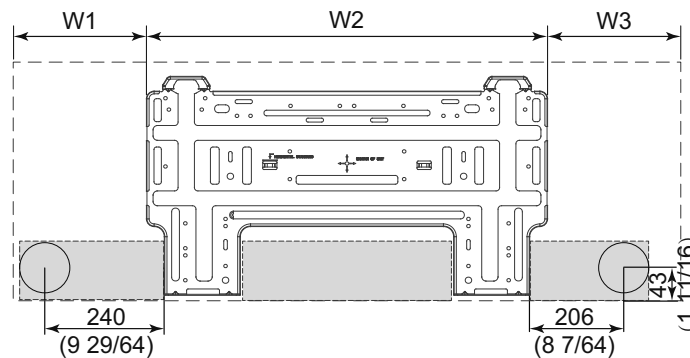
## 3.1 Indoor Unit



AVC



AVD



AVE

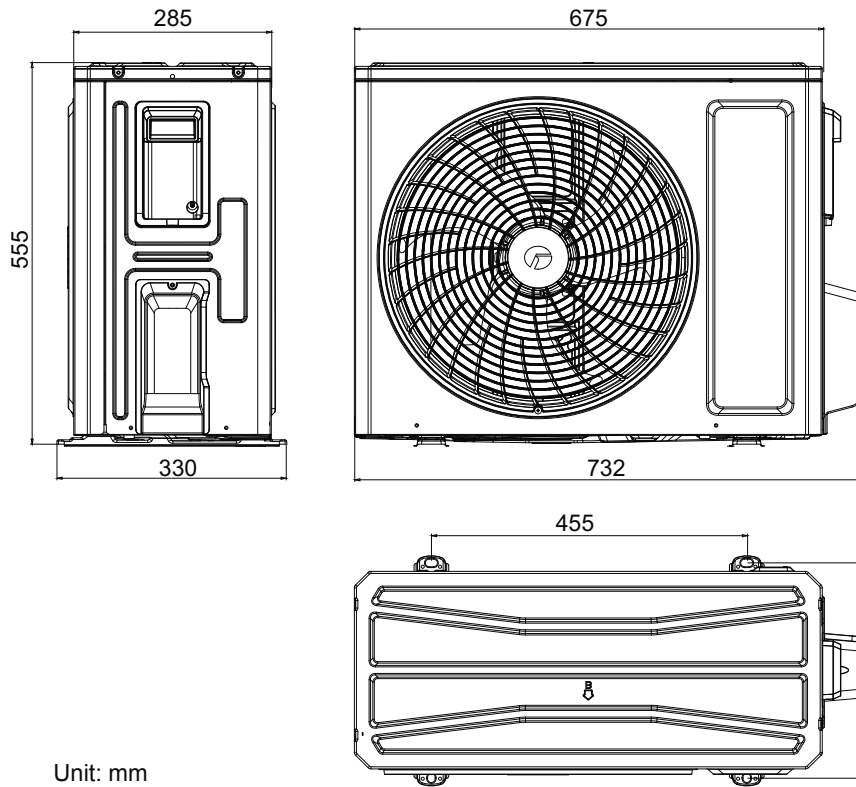
Unit: mm(inch)

Unit: mm

Model	W	H	D	W1	W2	W3
AVC	907	292	200	216	462	229
AVD	970	347	257	205.3	561.5	203.2
AVE	1110	347	257	275.4	561.5	273.1

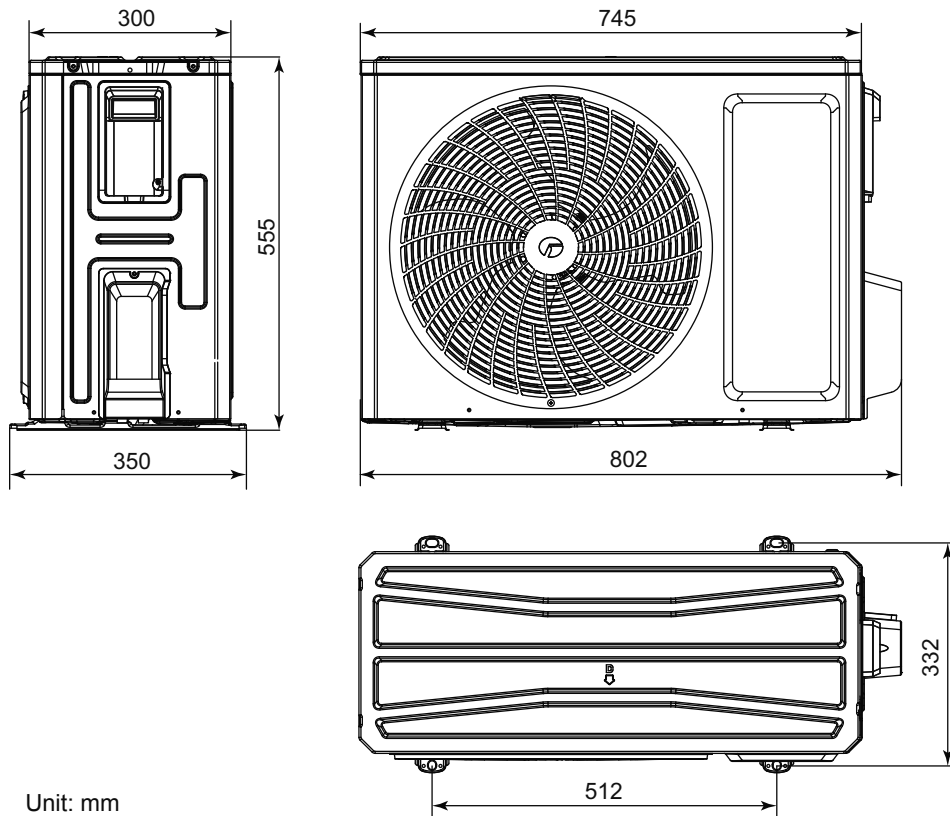
## 3.2 Outdoor Unit

09K



Unit: mm

12K



Unit: mm